



BX24 Boxer

BX24 BOXER

Free Standing Wood Stove

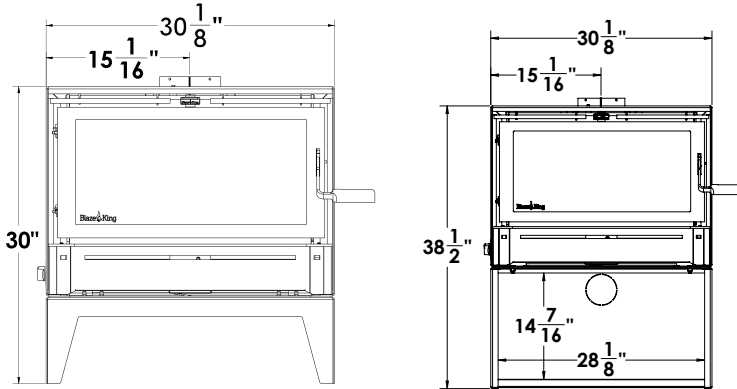


Blaze  King

www.blazeking.com

Blaze King BX24 Boxer

Dimensions



Clearances:

Center of flue to rear of stove	5"
Depth of stove	26 ¹³ / ₁₆ "
Side of stove to side wall	10"
Rear of stove to rear wall	10" (Wall Exit 14")
Side wall to flue center	25 ¹ / ₈ "
Rear wall to flue center	15 ¹ / ₈ " (Wall Exit 19 ¹ / ₈ ")
Rear corner to side wall	2 ³ / ₄ "
Rear corner to flue center	16 ¹ / ₈ "
Top of stove to alcove ceiling	49"

For a full list of clearances and hearth pad sizes see owners' manual.

Specifications: Boxer 24.1	Real World Tested Performance (HHV)
Cord Wood Max BTU**	40,000 BTU's
Efficiency	77%
Maximum Heat Input	311,334 BTU's
Constant Heat Output on High*	29,966 BTU's/hour up to 8 hours
Constant Heat Output on Low*	9,589 BTU's/hour up to 24 hours
Square Feet Heated	400 - 1600
Average Heating Time*	8 to 13 hours
Potential Burn Time on Low*	24 hours
Emissions (grams/hour)	0.9 g/hr
Firebox Size	2.3 cu.ft.
Firebox Depth	16 ³ / ₄ " (brick to brick) 18" (brick to glass)
Firebox Width	20 ¹ / ₂ " (front) 18" (rear)
Firebox Height	10"
Flue Size	6"
CO (g/min)	0.41

** Cord Wood BTU is calculated using the cord wood test method.

* BTU, heat input and output and heating times depend on influences such as home size, home insulation, installation configuration, wood species, wood moisture content and climatic conditions.

Design

- A modern wood stove with clean lines
- Wide screen viewing area – 24" x 11"
- Double action door handle with hardwood grip

Performance

- Burns 33% Less Wood*
- 2.3 cu. ft. firebox
- Cord Wood max BTUs: 40,000
- Up to 24 hour low burn times* (Up to 13 hour heating times)
- Thermostatically controlled (No electricity required)
- 70% heat output control* (From high burn to low burn)
- Heats 400 to 1,600 square feet*
- 0.9 g/hr emissions

Options

- Optional Pedestal Base. This tall pedestal raises the firebox high off the floor for easy loading.
- Optional Leg base for an elegant look
- 120 cfm dual variable speed fan kit

Efficiency At 77% efficiency the Boxer is one of the most efficient wood stoves available. It is also one of the cleanest stoves available with only 0.9 grams emissions. Performance is balanced to deliver a greater amount of radiant heat through the large glass door.

Long burn times In the real world the most important thing is to get overnight heat. By pushing the boundaries of long burn times, Blaze King is able to deliver that all important full night's sleep and much more.

Thermostat Control (No electricity required) All Blaze King stoves come with a built in thermostat that automatically allows you to regulate the difference between high and low heat by up to 70%.

Savings Most wood stoves require a thermal hearth pad below the stove. The Boxer 24 only requires spark protection. This can save hundreds of dollars on your install costs.

Burn 33% Less Wood Our unique combustion system makes the Boxer one of the most efficient stoves in the world, thus lowering your heating costs and load time by up to 33%



Boxer 24 with optional Pedestal Base



Boxer 24 with optional Leg Base