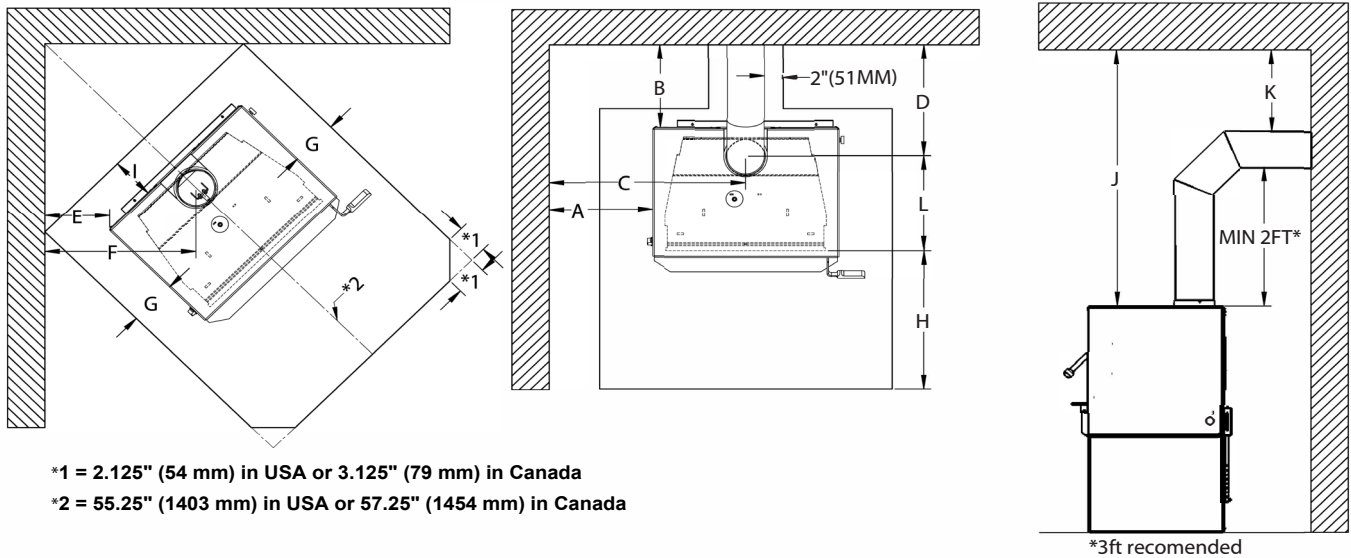


**MINIMUM CLEARANCES**

This appliance must be installed in compliance with all local codes and regulations. Minimum clearances may only be reduced by means approved by the regulatory authority. Flue pipe must be 6" diameter and 24 MSG steel construction. Do not use aluminum or galvanized steel. Refer to local codes and pipe manufacturer specs for required minimum clearances. **\*In Canada, a minimum 18" (450 mm) clearance from single wall pipe is required.**

RESIDENTIAL INSTALLATION	A	B	* C	* D	E	* F	J
Roof exit; Parallel or Corner minimum clearances	10" 254 mm	10" 254 mm	25.125" 639 mm	15.125" 385 mm	2.75" 70 mm	16.375" 416 mm	49" 1245 mm
Wall exit; Parallel and Corner minimum clearances	10" 254 mm	14" 365 mm	25.125" 639 mm	19.125" 385 mm	2.75" 70 mm	16.375" 416 mm	49" 1245 mm



\*1 = 2.125" (54 mm) in USA or 3.125" (79 mm) in Canada  
 \*2 = 55.25" (1403 mm) in USA or 57.25" (1454 mm) in Canada

\*3ft recommended

G = 5.75" (146 mm) in USA 8" (203 mm) in Canada	H = 16" (406 mm) in USA 18" (456 mm) in Canada	I = 0" (0 mm) in USA 8" (203 mm) in Canada	* K = 18" (456 mm) for single wall pipe in Canada
--	---	---	--

**FLOOR PROTECTION**

This appliance does not require thermal hearth pad floor protection; however, if installed on a combustible floor, a non-combustible floor shield must be used. In the USA, this floor shield must extend 16" out from the front and 8" out from either side of the fuel-loading door. In Canada, to comply with CSA B365, any combustible covering beneath the appliance and/or within the area extending horizontally at least 18" (450 mm) beyond the appliance on any side equipped with a door, and at least 8" (200 mm) beyond the appliance on other sides, shall be protected by a continuous, durable, non-combustible pad that will provide ember protection. The 18" (450 mm) ember protection required on any side with a door shall extend for the full width of the appliance plus the 8" (200 mm) required on each side of the appliance without a door. Where an appliance is installed less than 8" (200 mm) from a wall, the ember pad need only extend to the base of the wall. An ember pad shall not be placed on top of a carpet unless the pad is structurally supported to prevent displacement and distortion. A non-combustible shield is also required underneath the chimney connector and extend at least 2" on either side of the chimney connector. This shield does not need an insulation value, but must be listed under UL 1618-2009 (Type 1) and have a minimum size of:

**41.75" x 36.75" (1061 mm x 934 mm) in USA and 46.25" x 46.75" (1175 mm x 1188 mm) in Canada**

Blaze King does not recommend adhesive based vinyl flooring in front of appliances due to thermal expansion and warping which could be permanent.

**WOOD STORAGE**

This appliance has been tested and certified to store wood within the cavity of the pedestal base (S.Z2126).